

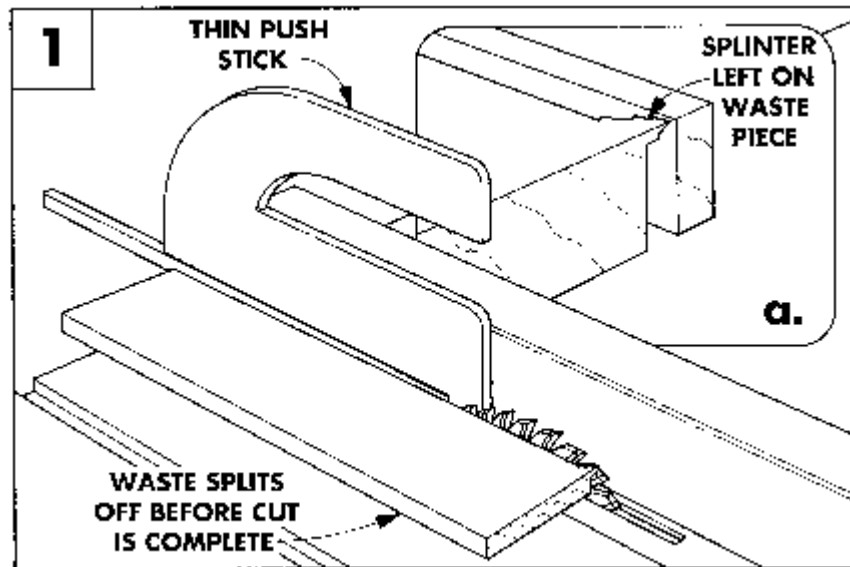
Push Block for Cutting Thin Strips

Brand X Push Block:

Typically when ripping thin stock, I use a thin push stick, see Fig. 1. But I've noticed a problem with this technique.

As the push stick moves the workpiece past the blade, the waste side of the workpiece can split off just before the cut is completed. This leaves a little triangular splinter of wood on the waste piece, see Fig. 1a.

If you're making a series of thin strips, that splinter can keep the workpiece from going tight against the fence on the next pass. (Or sitting flat on a jointer table, if you're jointing between passes.)



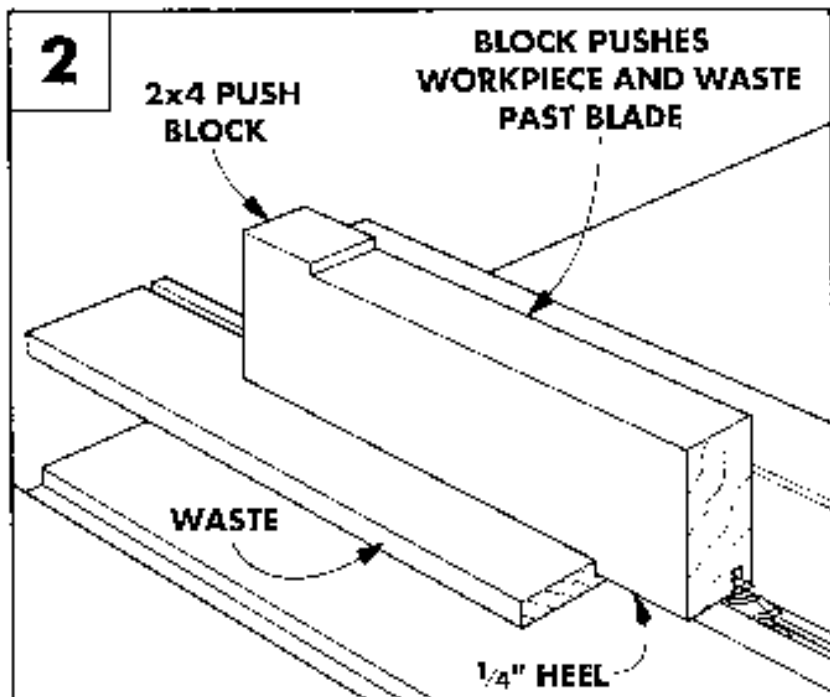
© 1995, August Home Publishing Co.

New Improved Push Block:

Though the splinter can be trimmed off with a pocket knife or chisel, here's a solution that prevents the splinter in the first place.

Use a push block made from an 11"-long piece of 2x4, see Fig.2. Cut out or glue on a 1/4" "heel" on the bottom of the block. This pushes both the workpiece and the waste through the blade, eliminating the little splinter.

By adding a heel on top of the block, too, you can just turn the block over when the first heel gets too torn up.



© 1995, August Home Publishing Co.